

Indexing plungers with Stainless Steel-Plunger

with rest position

SPECIFICATION

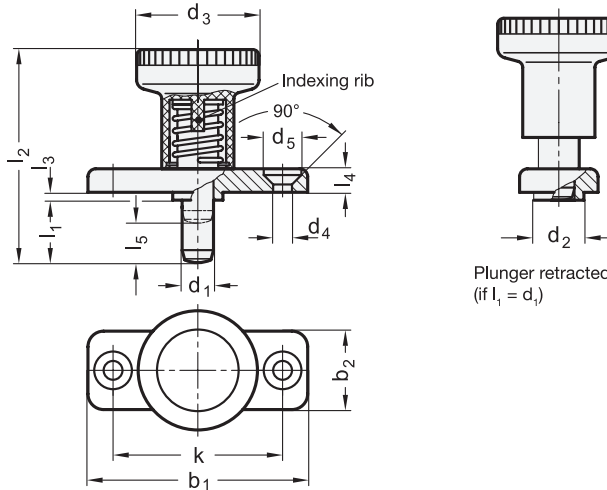
Guide
 Zinc die casting
 zinc plated, blue passivated
 Knob Plastic (Polyamide PA)
 - black, matt
 - not removable
 Pin Stainless Steel AISI 303
 chemically nickel plated
 Single components Stainless Steel

INFORMATION

Indexing plungers with Stainless Steel-Plunger GN 608.6 with rest position are used for such applications where the plunger has to stay in its retracted position. To achieve this, the knob is rotated by 90° degrees after being retracted. A notch keeps the plunger in this position.
 Indexing plungers GN 608.6 are distinguished for their small dimensions. The locking tab is integrated into the knob thus giving reliable operation at all times.
 - Range of indexing plungers (see page 738)

TECHNICAL INFORMATION

- ISO-Fundamental Tolerances (see page A21)
- Stainless Steel characteristics (see page A26)
- Plastic characteristics (see page A2)
- Load rating information (see page A42)



8

Indexing elements

GN 608.6

STAINLESS STEEL

Description	d1 Pin -0.02/-0.05 Bore H7	l1	b1	b2	d2 -0.02/-0.1	d3	d4	d5	k	l2	l3 -0.15	l4	l5	Spring load in N ≈ initial	Spring load in N ≈ end	Axial load in N	
GN 608.6-6-6	6	6	40	18	10	25	4.3	8.3	30	37	2.5	4.5	6	9	25	400	30
GN 608.6-6-14	6	14	40	18	10	25	4.3	8.3	30	45	2.5	4.5	6	9	25	400	39
GN 608.6-8-8	8	8	46	20	12	31	5.3	10.4	34	44	2.5	5.5	8	13	26	500	58
GN 608.6-8-18	8	18	46	20	12	31	5.3	10.4	34	54	2.5	5.5	8	13	26	500	63